

Saint-Gobain Performance Plastics
Flexible Components
End Fittings for Compressed Gas Pigtails



Female Flare
37° & 45°
STYLE 02
 For hose style
 TS, TD, TZ, TZD,
 TH, 3130, 3160,
 3R80, MDS6,
 MDHP, MDM,
 MDMS
 Available in
 S6, M, C



Male NPT
STYLE 03
 For hose style
 TS, TD, TZ, TZD,
 TH, TX, 3130,
 3160, 3R80,
 MDS6, MDHP,
 MDM, MDMS
 Available in
 S6, B, M, C



Female NPT
STYLE 06
 For hose style
 TS, TD, TZ, TZD, TH,
 TX, 3130, 3160,
 3R80, MDS6,
 MDHP,
 MDM, MDMS
 Available in
 S6, B, M, C



Female NPT
(Swiv-L-Flex®)
STYLE 06X
 For hose style
 TS, TD, TZ, TZD
 Available in S6



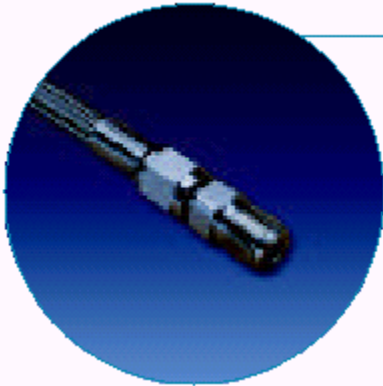
90° Elbow NPT
STYLE 1
 For hose style
 TS, TD, TZ, TZD,
 TH, TX, 3130,
 3160, 3R80,
 MDS6, MDHP,
 MDM, MDMS
 Available in B



Female Flare x
Female NPT
Union
STYLE 07
 For hose style
 TS, TD, TZ, TZD,
 TH, 3130, 3160,
 3R80, MDS6,
 MDHP, MDM,
 MDMS
 Available in
 S6, C

S4 = 304 Stainless Steel S6 = 316 Stainless Steel B = Brass M = Monel C = Carbon Steel

Saint-Gobain Performance Plastics
 Flexible Components
 End Fittings for Compressed Gas Pigtails, Page 2



**Female Flare x
 Male NPT
 Union**
STYLE 08
 For hose style
 TS, TD, TZ, TZD,
 TH, 3130, 3160,
 3R80, MDS6,
 MDHP, MDM,
 MDMS
 Available in S6, C



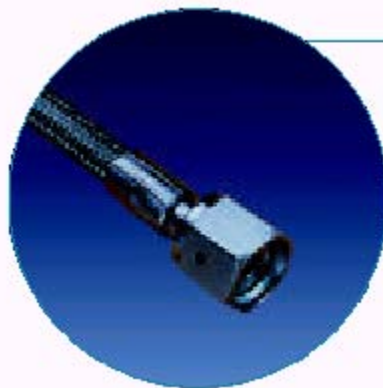
**Distance
 Volume Piece
 (Oxy-Flex®)**
STYLE DV
 For hose style
 TS, TD
 Available in B



Tube Connector
STYLE 31
STYLE 31FN
 (with ferrules & nut)
 For hose style
 TS, TD, TZ, TZD,
 MDS6, MDHP
 Available in S6



Tube Adapter
STYLE 32
STYLE 32FN
 (with ferrules & nut)
 For hose style
 TS, TD, TZ, TZD,
 MDS6, MDHP
 Available in S6



O Ring Female
STYLE 33
 For hose style
 TS, TD, TZ, TZD,
 MDS6, MDHP
 Available in S6



Vacuum Female
STYLE 34
 For hose style
 TS, TD, TZ, TZD,
 MDS6, MDHP,
 MDM, MDMS
 Available in
 S6, M

S4 = 304 Stainless Steel S6 = 316 Stainless Steel B = Brass M = Monel C = Carbon Steel

Saint-Gobain Performance Plastics
Flexible Components
End Fittings for Compressed Gas Pigtails, Page 3



Vacuum Male
STYLE 35
 For hose style
 TS, TD, TZ, TZD,
 MDS6, MDHP,
 MDM, MDMS
 Available in S6, M



**CGA Wrench
 Tight on
 Female NPT**
STYLE 71
 For hose style
 TS, TD, TZ, TZD,
 TH, TX, 3130,
 3160, 3R80,
 MDS6, MDHP,
 MDM, MDMS
 Available in S6, B



**CGA Hand
 Tight on
 Female NPT**
STYLE 74
 For hose style
 TS, TD, TZ, TZD,
 TH, TX, 3130,
 3160, 3R80,
 MDS6, MDHP,
 MDM, MDMS
 Available in B



**CGA Wrench
 Tight on
 Oxy-Flex®**
STYLE 71DV
 For hose style
 TS, TD
 Available in B



**CGA Hand
 Tight on
 Oxy-Flex®**
STYLE 74DV
 For hose style
 TS, TD
 Available in B

S4 = 304 Stainless Steel S6 = 316 Stainless Steel B = Brass M = Monel C = Carbon Steel